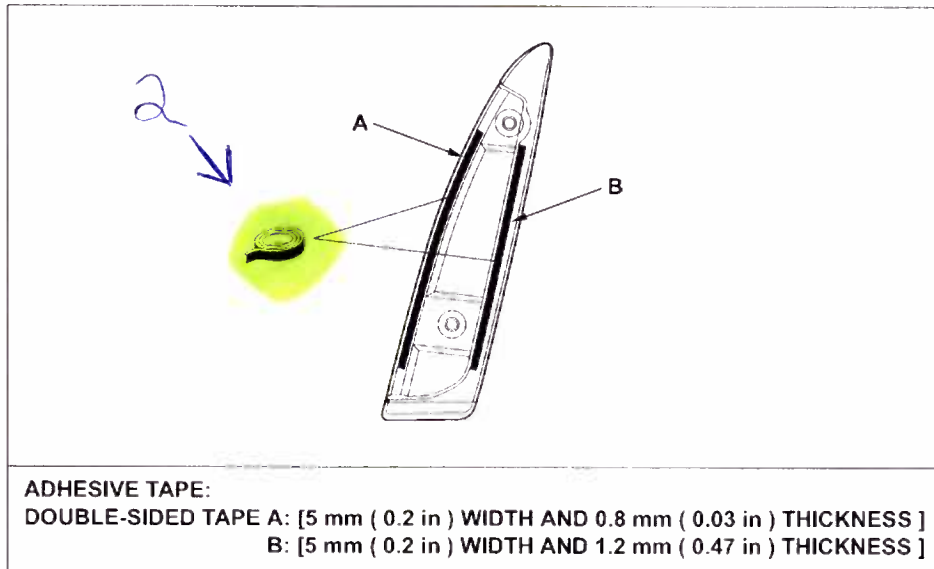
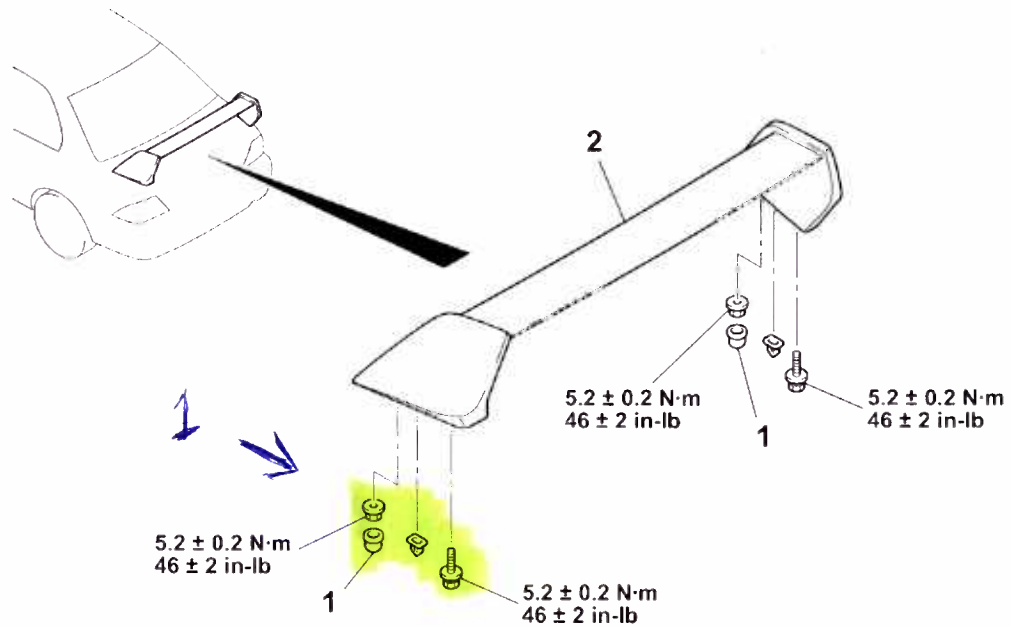


REAR SPOILER

REMOVAL AND INSTALLATION

M1511006100114

<TYPE A>



AC205578AB

REAR SPOILER REMOVAL STEPS

- TRUNK LID BUMPER (REFER TO GROUP 42, TRUNK LID P.42-51).

REAR SPOILER REMOVAL STEPS

- <<A>> >>A<<
1. CAP
 2. REAR SPOILER ASSEMBLY